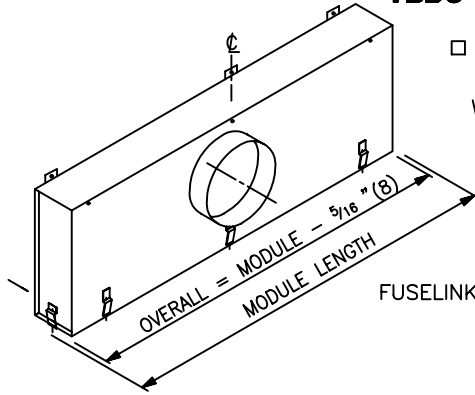
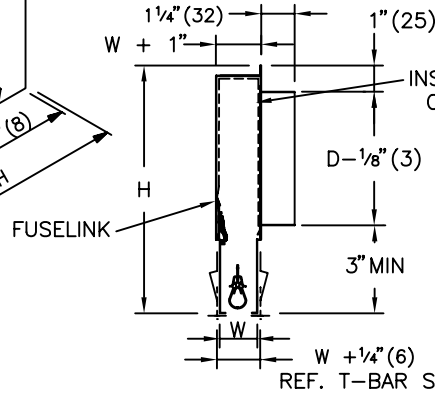


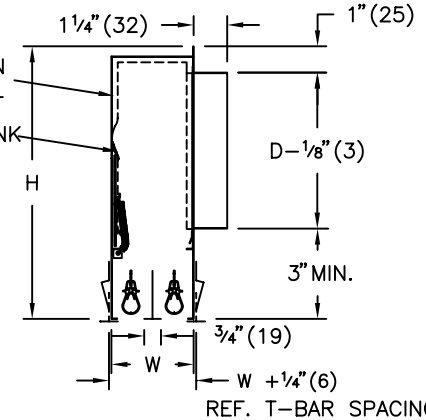
**TBD3-FR SERIES T-BAR SUPPLY DIFFUSER**



1 SLOT, TBD3-FR SHOWN



2 SLOT, TBD3-FR SHOWN



IMPERIAL SCHEDULE (INCH)

MODEL	MODULE LENGTH	D	1 SLOT		2 SLOT	
			W	H	W	H
<input type="checkbox"/> 1/2" SLOT TBD350-FR	24	6, 8*, 10*	1 1/4	11	2 1/2	
	30					
	36					
	48					
<input type="checkbox"/> TBDI350-FR	60	6, 8*, 10*, 12*	1 1/4	11	2 1/2	
	60					
	60					
	60					
<input type="checkbox"/> 3/4" SLOT TBD375-FR	24	6, 8*, 10*	1 1/2	12	3	
	30					
	36					
	48					
<input type="checkbox"/> TBDI375-FR	60	6, 8*, 10*, 12*	1 1/2	12	3	
	60					
	60					
	60					
<input type="checkbox"/> 1" SLOT TBD3100-FR	24	6, 8*, 10*	1 3/4	12	3 1/2	
	30					
	36					
	48					
<input type="checkbox"/> TBDI3100-FR	60	6, 8*, 10*, 12*	1 3/4	12	3 1/2	
	60					
	60					
	60					

**FINISH:**

- SHELL: MILL
- PATTERN CONTROLLER: B17 BLACK
- CENTRE T:
  - B12 WHITE (OPTIONAL FINISHES AVAILABLE)

**MATERIAL:**

- SHELL: COATED STEEL
- PATTERN CONTROLLER & CENTRE T: EXTRUDED ALUMINUM
- NON ASBESTOS FIRE FLAP
- TBDI: COATED FIBERGLASS INSULATION (OPTIONAL)

**NOTES:**

- FIRE RATED 3 HOURS, 165° FUSIBLE LINK
- UL CLASSIFIED FIRE RATED CEILING DIFFUSER ASSEMBLY. LISTED IN UNDERWRITERS LABORATORIES FIRE RESISTANCE DIRECTORY.
- ULC CLASSIFIED FIRE RATED CEILING DIFFUSER ASSEMBLY. LISTED IN UNDERWRITERS LABORATORIES OF CANADA LIST OF EQUIPMENT AND MATERIALS REQUIREMENTS.
- DUCT: STEEL OR FLEXIBLE DUCT CONNECTIONS AS PER FIRE RATED DESIGN REQUIREMENTS.
- 1/4" (6) COATED FIBERGLASS INTERNAL INSULATION AVAILABLE.
- FACTORY INSTALLED T-BAR CLIPS - ALL SIDES
- INSTALLATION INSTRUCTIONS: SEE SUBMITTAL 228795

**OPTIONS:**


- TBDI3-FR C/W INTERNAL INSULATION
- 212°F FUSIBLE LINK

\* SUPPLIED AS EQUIVALENT. OVAL:  
 8" (203) 4" X 10 1/8"  
 10" (254) 6" X 12 1/8"  
 12" (305) 6" X 15 1/4"

METRIC SCHEDULE (mm.)

MODEL	MODULE LENGTH	D	1 SLOT		2 SLOT	
			W	H	W	H
<input type="checkbox"/> (13) SLOT TBD350-FR	600	152	32	279	64	
	750					
	900					
	1200					
<input type="checkbox"/> TBDI350-FR	1500	152	32	279	64	
	1500					
	1500					
	1500					
<input type="checkbox"/> (19) SLOT TBD375-FR	600	152	38	305	76	
	750					
	900					
	1200					
<input type="checkbox"/> TBDI375-FR	1500	152	38	305	76	
	1500					
	1500					
	1500					
<input type="checkbox"/> (25) SLOT TBD3100-FR	600	152	44	305	89	
	750					
	900					
	1200					
<input type="checkbox"/> TBDI3100-FR	1500	152	44	305	89	
	1500					
	1500					
	1500					

ALL METRIC DIMENSIONS ( ) ARE SOFT CONVERTED. IMPERIAL DIMENSIONS ARE CONVERTED TO METRIC AND ROUNDED TO THE NEAREST MILLIMETER.

<b>PROJECT:</b>		<b>PRICE®</b>	
<b>ENGINEER:</b>			<b>TBD3-FR, TBDI3-FR</b>
<b>CUSTOMER:</b>			228713
<b>SUBMITTAL DATE:</b>		APRIL 2002	<b>SPEC. SYMBOL:</b>

